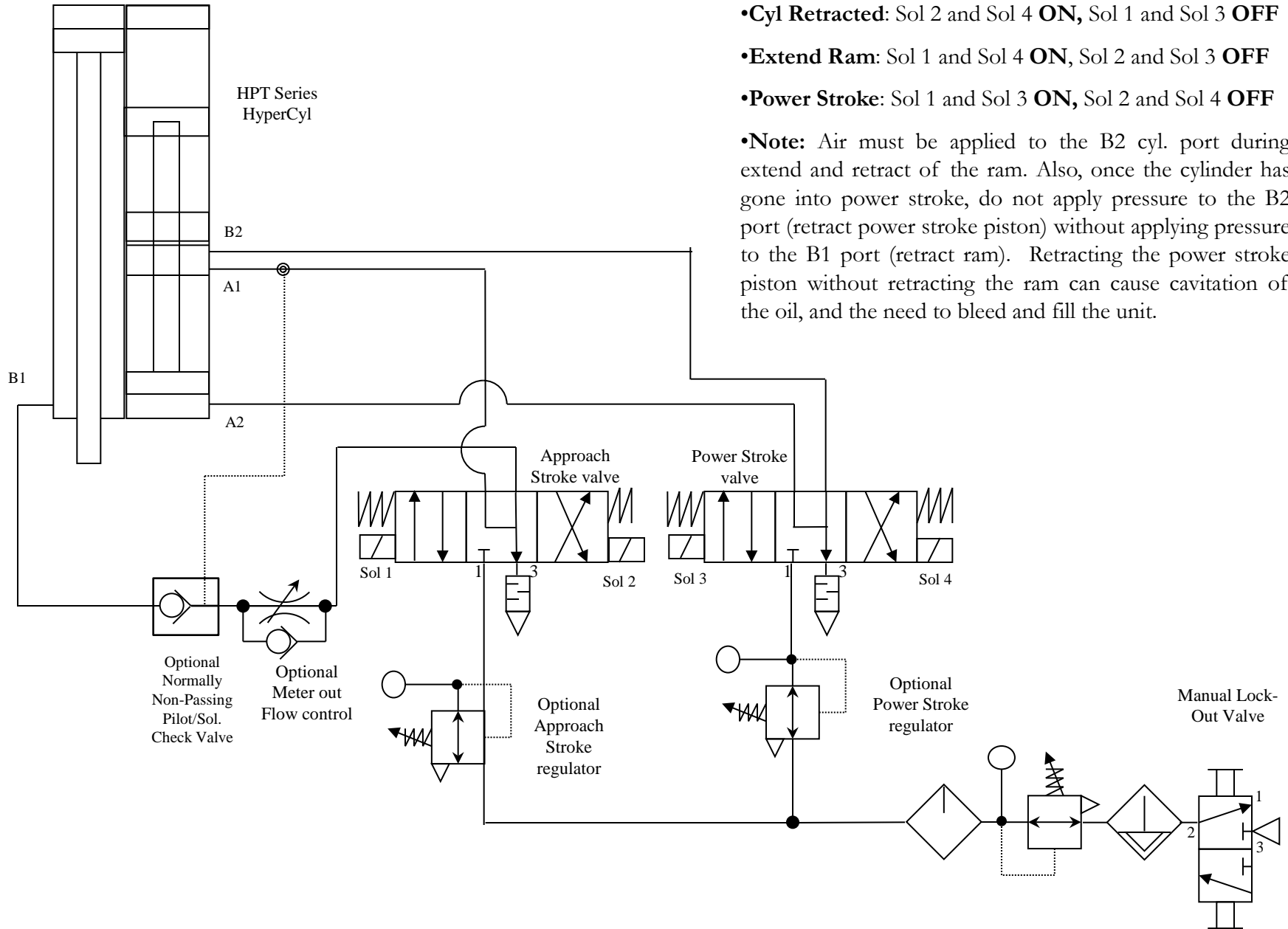


HPT 3-Position Open Center Schematic



•**Cyl Retracted:** Sol 2 and Sol 4 **ON**, Sol 1 and Sol 3 **OFF**

•**Extend Ram:** Sol 1 and Sol 4 **ON**, Sol 2 and Sol 3 **OFF**

•**Power Stroke:** Sol 1 and Sol 3 **ON**, Sol 2 and Sol 4 **OFF**

•**Note:** Air must be applied to the B2 cyl. port during extend and retract of the ram. Also, once the cylinder has gone into power stroke, do not apply pressure to the B2 port (retract power stroke piston) without applying pressure to the B1 port (retract ram). Retracting the power stroke piston without retracting the ram can cause cavitation of the oil, and the need to bleed and fill the unit.