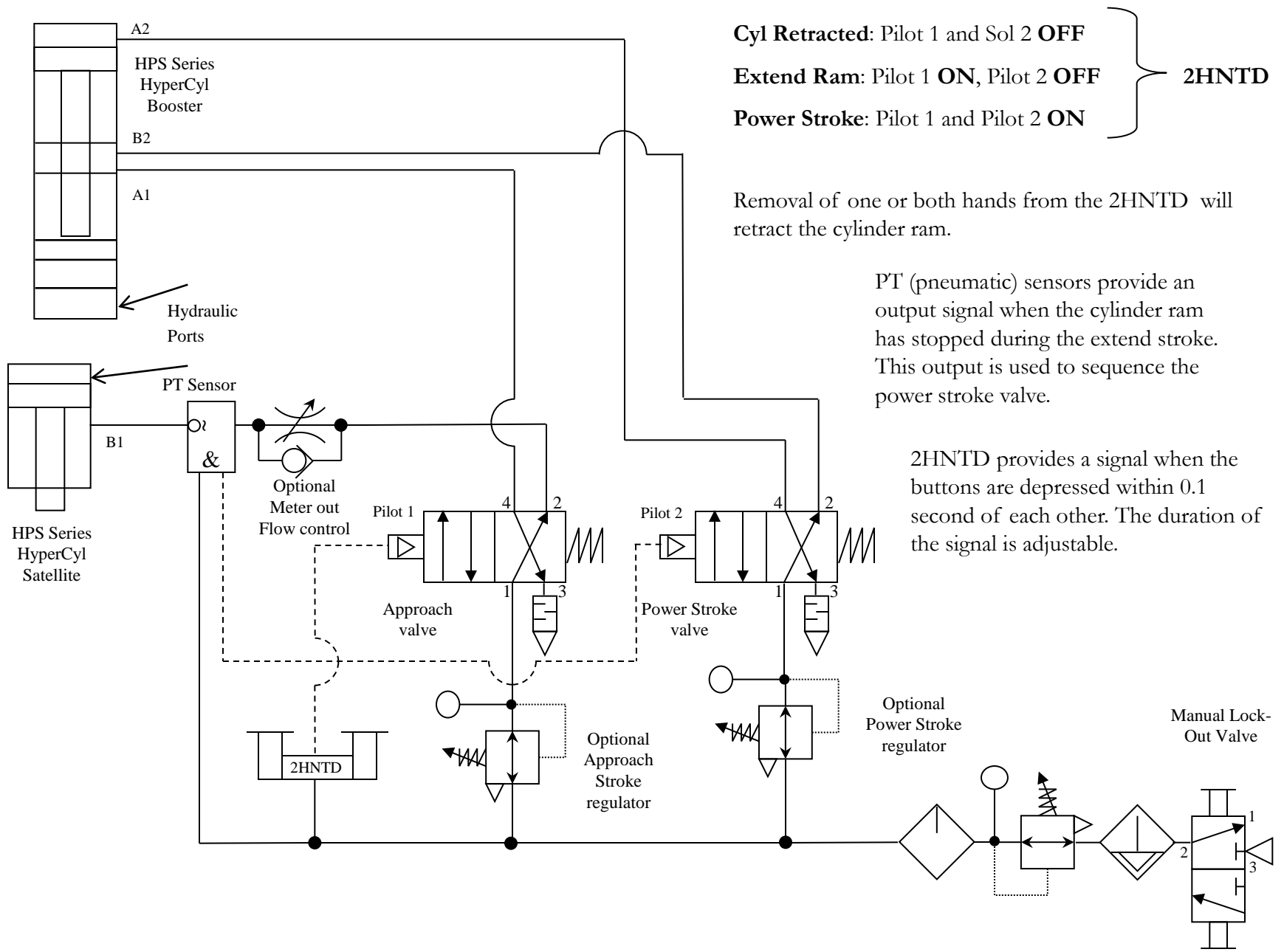


HPS 2-Position Spring Return 2HNTD with PT Schematic



2HNTD

Cyl Retracted: Pilot 1 and Sol 2 **OFF**
Extend Ram: Pilot 1 **ON**, Pilot 2 **OFF**
Power Stroke: Pilot 1 and Pilot 2 **ON**

Removal of one or both hands from the 2HNTD will retract the cylinder ram.

PT (pneumatic) sensors provide an output signal when the cylinder ram has stopped during the extend stroke. This output is used to sequence the power stroke valve.

2HNTD provides a signal when the buttons are depressed within 0.1 second of each other. The duration of the signal is adjustable.

A2

HPS Series
HyperCyl
Booster

B2

A1

Hydraulic
Ports

PT Sensor

B1

HPS Series
HyperCyl
Satellite

Optional
Meter out
Flow control

Pilot 1

Approach
valve

Optional
Approach
Stroke
regulator

Pilot 2

Power Stroke
valve

Optional
Power Stroke
regulator

Manual Lock-
Out Valve

2HNTD

1
2
3