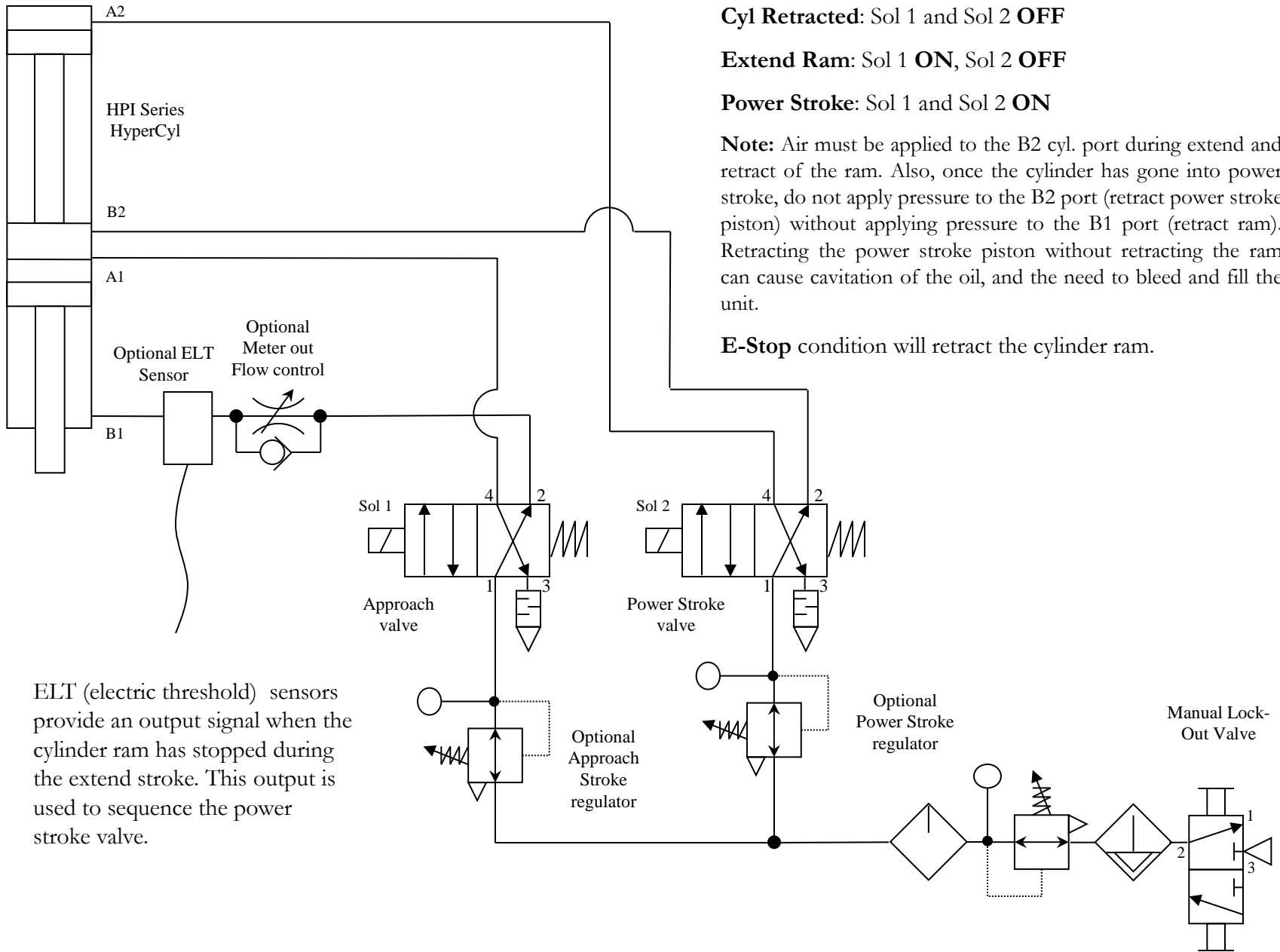


HPI 2-Position Spring Return ELT Schematic



ELT (electric threshold) sensors provide an output signal when the cylinder ram has stopped during the extend stroke. This output is used to sequence the power stroke valve.